



# **TRUSTEE MEETING AGENDA 2/19/2025**

**6:00 PM**

- Roll Call
- Pledge of Allegiance
- Approve of the Clerk's Journal and Accept the audio/video recording as the Official Minutes of the February 5<sup>th</sup> Board of Trustees regular meeting.
- Bills before the Board

## **Public Comments**

## **New Business**

### **Resolutions**

- Resolution No. 2025-0219A – Designating Faller Road as Clyde Baston Way
- Resolution No. 2025-0219B – Authorizing A Contract with the WCEO for the Purchase of Road Salt for the 2025-2026 Snow Season
- Resolution No. 2025-0219C – Supporting the Inclusion of the Buckeye Trail in the National Trails System
- Resolution No. 2025-0219D – Electric Supply Agreement with Constellation NewEnergy, Inc. for Aggregation Program
- Resolution No. 2025-0219E – Authorizing a contract with Warren County for the 2025 Resurfacing, Chip Seal, and Striping Project

### • **Motions**

- Testerman Park Concession Stand Agreement
- Approve the Purchase of a Tanker Truck in the Fire Department
- Transfer of Deed

## **Human Resources**

## **Public Comments**

## **Fiscal Officer's Report**

## **Administrator's Report**

## **Trustee Comments**

## **Adjournment**

The agenda is to give an idea of the various discussions before the Board. The time and order of Agenda items is subject to change in order to maintain efficiency and timeliness of the meetings. Citizens may address the Board under the Public Comment section of the agenda.

The following guidelines protect your rights as well as those of others:

1. Speakers must state their name and full address for the record.
2. The Board Chair will recognize each speaker, and only one person may speak at a time.
3. Speakers will address any and all comments to the Board of Trustees and Fiscal Officer. The Board may request further information from staff at their discretion.

## **HAMILTON TOWNSHIP ADMINISTRATION**

Joseph Rozzi – *Board Chair*

Darryl Cordrey – *Vice Chair*

Mark Sousa – *Trustee*

Leah Elliott – *Fiscal Officer*

7780 South State Route 48  
Maineville, Ohio 45039  
Phone: (513) 683-8520

### **Township Administrator**

Jeff Wright  
(513) 683-8520

### **Police Department**

Scott Hughes – *Police Chief*  
Phone: (513) 683-0538

### **Fire and Emergency Services**

Jason Jewett – *Fire Chief*  
7684 South State Route 48  
Maineville, Ohio 45039  
Phone: (513) 683-1622

### **Public Works**

Don Pelfrey – *Director*  
Phone: (513) 683-5320

### **Assist. Fiscal Officer**

Ellen Horman  
Phone: (513) 239-2377

### **Human Resources**

Cheryl Allgeyer  
Phone: (513) 239-2384

### **Zoning Administrator**

Cathy Walton  
Phone: (513) 683-8520

### **Parks and Recreation**

Nicole Earley  
(513) 683-5360

4. Anyone who willfully disrupts a Board meeting may be barred from speaking further or may be removed from the meeting and detained by officers of the Hamilton Township Police Department. (ORC 505.09; ORC 2917.12)

# **Hamilton Township Trustee Meeting**

## **February 5, 2025**

Trustee Board Chairman, Joe Rozzi, called the meeting to order at 8:30AM. Mr. Rozzi, Mr. Cordrey and Mr. Sousa were present.

Roll call as follows: Joe Rozzi  
Darryl Cordrey  
Mark Sousa

The Pledge of Allegiance was recited by all.

A motion was made by Mr. Rozzi, with a second by Mr. Cordrey, to approve the clerk's journal as the Official Meeting Minutes of January 15, 2024, Trustee Meeting.

Roll call as follows: Darryl Cordrey Yes  
Mark Sousa Yes  
Joe Rozzi Yes

A motion was made by Mr. Rozzi, with a second by Mr. Cordrey, to approve the bills as presented before the Board.

Roll call as follows: Mark Sousa Yes  
Darryl Cordrey Yes  
Joe Rozzi Yes

### **Public Comments**

Mr. Rozzi opened the floor to public comments at 8:32AM, with nobody approaching he closed the floor to comments.

### **New Business**

#### **Resolution No. 2025-0205A – Initiating certain text amendments to the official Zoning Code of Hamilton Township**

Planning and Zoning Director Cathy Walton explained that the text amendments include updates to setbacks, street frontage, modifications, site plan reviews, and general provisions. She also noted that she plans to focus on amendments related to landscaping this year.

A motion was made by Mr. Rozzi, with a second by Mr. Cordrey, to approve Resolution 25-0205A, a resolution initiating certain text amendments to the official Zoning Resolution of Hamilton Township, Warren County, Ohio.

Roll call as follows: Mark Sousa Yes  
Darryl Cordrey Yes  
Joe Rozzi Yes

**Resolution No. 2025-0205B – Declaring 1715 Amberwood Way a Nuisance**

Ms. Walton informed the Board that the property had experienced a fire caused by electric bikes in the garage. At the time of the fire, the homeowners did not have insurance on the property. She requested guidance from the Board on the next steps, presenting two options: initiating demolition and filling the basement at an estimated cost of \$26,000 or boarding up the front and side of the structure for approximately \$3,600.

The Board discussed concerns regarding the length of time before the homeowners might take action if the property were boarded up, as well as the safety risks to neighbors and children due to the unstable structure caused by fire damage. Following this discussion, the Board directed Ms. Walton to proceed with obtaining bids for the demolition and regrading of the property.

Mr. Rozzi made a motion with a second from Mr. Cordrey to approve Resolution 2025-0205B - a resolution providing for the declaration of nuisance and securing of an unsafe structure for the property located at 1715 Amberwood Way and authorizing all necessary steps to undertake action and declaring an emergency.

Roll call as follows: Darryl Cordrey Yes  
Joe Rozzi Yes  
Mark Sousa Yes

**Resolution No. 2025-0205C – Authorizing Private Sale of Unneeded and Unfit-For-Use Property in the Police Department**

Mr. Rozzi made a motion with a second from Mr. Cordrey to approve Resolution 25-0205C, a resolution authorizing private sale of unneeded and unfit-for-use property in the Police Department.

Roll call as follows: Joe Rozzi Yes  
Mark Sousa Yes  
Darryl Cordrey Yes

**Motion- Approve Hamilton Township Roster as presented**

Mr. Rozzi made a motion with a second from Mr. Cordrey to approve of the Hamilton Township Roster as presented before the Board.

Roll call as follows:	Mark Sousa	Yes
	Darryl Cordrey	Yes
	Joe Rozzi	Yes

**Motion- Authorize the Township Administrator to enter into an Agreement with the Myers Y. Cooper Company to modify the Warren County Thoroughfare Plan to support the developer’s proposed development at SR 48 and US 22/3.**

Mr. Cordrey expressed his gratitude to the Warren County Commissioner, the Warren County Engineer’s Office, Myer Y. Cooper, and township staff for their efforts in making this agreement possible.

Mr. Rozzi made a motion with a second from Mr. Cordrey to authorize the Township Administrator to enter into an Agreement with the Myers Y. Cooper Company to modify the Warren County Thoroughfare Plan to support the developer’s proposed development at SR 48 and US 22/3.

Roll call as follows:	Joe Rozzi	Yes
	Mark Sousa	Yes
	Darryl Cordrey	Yes

**Annual Trustee Retreat:** 2025 Department Work Session

**Finance Department:**

- **Current Financial Status (as of 12/31/2024):**
  - Checking: \$2,780,909.04
  - Savings: \$11,296,119.16
  - Investments: \$6,110,603.17
  - Total: \$20,187,631.37
  - 2025 Budget: \$17,804,304.53
- **Investment Updates:**
  - Interest income increased from \$657,890.75 in 2023 to \$818,789.99 in 2024.
  - Portfolio yield increased from 3.70% to 3.99% in 2024, with plans to reinvest in higher-yield securities.
  - Federal Reserve expected to cut rates in 2025, possibly affecting future returns.

Administrator Jeff Wright and Assistant Fiscal Officer recommended that the Board hold a late summer or early fall meeting to review proposed capital projects and capital expenses in preparation for the year-end budget report. The Board agreed to the meeting, and Mr. Cordrey requested that Ms. Horman provide a comparative analysis of data from 2017 to the current year.

## **Fire Department:**

- **2024 Accomplishments:**
  - Transition to an all-career staff.
  - Pre-plan software implementation.
  - Preparation for a large multi-agency active shooter drill.
  - Installed dash cameras in all vehicles.
  - Station access upgrades, leadership training, and completion of community needs assessments.
- **2025 Plans:**
  - Delivery of a new medic unit and quint fire apparatus.
  - Increasing daily staffing and adding a third medic unit.
  - Replacement of Self-Contained Breathing Apparatus (SCBA).
  - Hosting multiple fire training courses.
  - Replacing Ladder 76 with a 2000-gallon tanker/pumper.
- **Proposals:**
  - Hiring 3 additional full-time personnel over three years.
  - Funding for a 2000-gallon Tanker/Pumper (\$530,000).
  - Strategic planning and rebranding initiative for 2025-2030.

The Board requested Chief Jewett to explore the option of a demo tanker to reduce costs and to present a detailed plan outlining the re-branding strategy in collaboration with the Impact Group.

## **Public Works:**

- **2025 Projects:**
  - Budgeted \$401,500 for a new public works facility design and oversight.
  - Construction to begin in mid-to-late summer 2025, with completion expected by early fall 2026.
  - Ordering a 2025 International HV-607 Dump Truck.
  - Replacing 800 ft. of guardrail on Grog Run Rd. (\$17,000-\$20,000).
  - Joint culvert replacement project with Village of Maineville (\$100,000).
  - \$1.2 million budgeted for annual road resurfacing (7.09 miles).

Mr. Pelfrey sought guidance from the Board on their roof preference for the new public works facility, presenting the option of a metal roof for reduced maintenance costs while preserving aesthetics or a fully shingled roof. The Board agreed on selecting a metal roof over shingles.

## **Planning and Zoning:**

- **Updates on Zoning Software (iWorQ) and Reporting Improvements.**
- **Zoning Resolution Text Amendments**
- **Medical Marijuana Use Regulations:**
  - Businesses cannot be within 500 feet of schools, churches, libraries, playgrounds, or parks.

Zoning Director Cathy Walton asked the Board whether they preferred a monthly or quarterly zoning permit report and if they wanted both residential and commercial data included. The Board requested quarterly reports for both residential and commercial permits.

Additionally, Mr. Cordrey proposed adding a requirement to the Zoning Resolution mandating the installation of a deck with second-floor door buildouts, rather than using a cattle gate, to enhance homeowner safety and first responder accessibility during emergencies. Ms. Walton agreed to investigate the feasibility of implementing this requirement.

Law Director Brodi Conover explained that despite changes in tax regulations for retail, manufacturing, and cultivation of marijuana, townships still have opportunities to generate revenue. He noted that the township could implement it into a JEDD or establish a community benefit agreement with the dispensary or cultivator.

### **Administration & Economic Development:**

- **Development Updates:**
  - Various ongoing commercial and residential projects (Aldi, Auto Condominiums, etc.).
  - JEDD (Joint Economic Development District) revenue projections.
  - Kroger TIF fund balance review.
- **Staffing & Leadership Training:**
  - Leadership training initiative for all township employees.
  - RITE EQ Leadership Training estimated cost: \$18,700.

The Board expressed support for the RITE Leadership training for Hamilton Township staff, as well as for any local jurisdictions interested in participating. Additionally, the Board is in favor of exploring various marketing strategies and intends to collaborate with Little Miami and Kings High Schools through their social media and marketing programs. There is also interest in pursuing sponsorship opportunities with local high schools.

Furthermore, the Board supports adding staff to various departments; however, they emphasized the need for department leaders to identify funding within their budgets and develop a comprehensive hiring plan.

### **Police Department:**

- **2024 Accomplishments:**
  - Restructure of command staff, new sergeants, and detective addition.
  - Drone program implementation. (Receiving drones is March 2025)
  - Upgraded non-lethal shotguns.
- **Future Needs:**
  - Locker room and office expansion.
  - Increase in staffing and funding.

### **Human Resources:**

- **Digital Payroll:** Fully implemented via Paycor.
- **Employee Benefits & Retention:**
  - 2025 medical and dental insurance up for renewal.
  - Employee headcount breakdown.
  - Transition to a fully full-time fire department.
  - Police and public works staffing updates.

### **Parks and Recreation:**

- **Capital Expenses:**
  - Mower replacement.
  - Testerman Park athletic court renovation.
- **Grant Opportunities:**
  - Multiple applications for funding community projects (e.g., hazard mitigation, flood risk reduction, environmental protection).
  - Participation in the America 250-OH 2026 Freedom Parade & Festival.

Mr. Sousa strongly advocates for the County's involvement in the Mounts Park restoration project, emphasizing that the issue includes stormwater management, an area in which the county already has an established stormwater program. Law Director Ben Yoder recommends reaching out to the Warren County Water and Soil Conservation District to explore potential funding options.

### **Public Comments**

Mr. Rozzi opened the floor to public comments at 2:28 PM, with nobody approaching he closed the floor to comments.

### **Trustee Comments**

Mr. Cordrey expressed his gratitude to the staff, noting that the Annual Retreat provides a valuable opportunity for meaningful discussion, with many great ideas shared and significant progress made. He looks forward to the fall meeting to focus on budgeting matters.

Mr. Sousa thanked the staff for their dedication and shared his enjoyment of the retreat. He also expressed his appreciation for Mr. Wright and the work he has already accomplished for the Township, looking forward to Hamilton Township's future under his leadership.

Mr. Rozzi, who has served as a Trustee for seven years, conveyed that it has been a true pleasure working with the staff, commending their 110% effort in everything they do, which greatly eases the work of the Trustees. He announced that he will run for office again and expressed his hope to see the completion of ongoing projects.

### **Adjournment-**



Mr. Rozzi made a motion with a second from Mr. Cordrey to adjourn at 2:40 PM.

Roll call as follows:	Joe Rozzi	Yes
	Darryl Cordrey	Yes
	Mark Sousa	Yes



**Office of Township Administrator**  
**2/19/25 Trustee Meeting**

---

**Motion to approve Resolution 2025-00219A – A resolution designating Faller Road as Clyde Baston Way in Hamilton Township from the intersection of Faller Road and Foster-Maineville Road to the intersection of Faller Road and Ascot Road.**

Former Warren County Engineer Neil Tunison and present County Engineer Kurt Weber have submitted a request on behalf of the Baston family to rename Township street Faller Road honorarily as “Clyde Baston Way”. Mr. Baston has lived on Faller Road for 19 years and has been a resident of that portion of Hamilton Township since 1961.

In addition to being a Township Trustee for 24 years, Mr. Baston served his community as a Warren County Deputy Sheriff for 18 years, and volunteered with the Fire and Rescue Department for several years. He also served the community as a member of the Maineville Elementary PTO; was instrumental in acquiring the Township’s first park; spearheaded the funding of the former Hamilton Township Senior Citizen building; the former Maineville Library; and several other non-profit initiatives, including Helping Hands for Hamilton Township to assist families in need.

A secondary street sign blade would be added to the signpost above the Faller Road signs so that the official street addresses for properties are not impacted.

The Board of Trustees of Hamilton Township, County of Warren, Ohio, met at a regular session at 6:00 p.m. on February 19, 2025, at Hamilton Township, Warren County, Ohio, with the following Trustees present:

Darryl Cordrey – Trustee, *Vice Chair*  
Mark Sousa - Trustee

Mr. \_\_\_\_\_ introduced the following resolution and moved its adoption:

**HAMILTON TOWNSHIP, WARREN COUNTY OHIO  
RESOLUTION NUMBER 25-0219A**

**A RESOLUTION DESIGNATING FALLER ROAD AS CLYDE BASTON WAY IN  
HAMILTON TOWNSHIP FROM THE INTERSECTION OF FALLER ROAD AND  
FOSTER-MAINEVILLE ROAD TO THE INTERSECTION OF FALLER ROAD AND  
ASCOT ROAD.**

**WHEREAS**, Mr. Clyde Baston served as a Hamilton Township Trustee for 24 years, volunteered with the Fire and Rescue Department for several years and served the community as a Sheriff’s Deputy; and

**WHEREAS**, Clyde contributed to the Hamilton Township community as founder of Helping Hands of Hamilton Township, as a leader to acquire and establish the first Township park, was a leader in funding for a Senior Citizen building and public library and volunteered as a member of the Miamierville Elementary PTO, among many other forms of civic volunteering; and

**WHEREAS**, Warren County Engineer Kurt Weber and retired Warren County Engineer Neil Tunison recommend to this Board to honor Clyde Baston ceremoniously designating Faller Road as Clyde Baston Way;

**NOW, THEREFORE, BE IT RESOLVED**, by the Board of Township Trustees of Hamilton Township, Warren County, Ohio to designate Faller Road as Clyde Baston Way in Hamilton Township between Foster-Maineville Road and Ascot Road honoring Clyde’s decades of service to Hamilton Township and his 24 years as a Hamilton Township Trustee and direct the Township Public Works Department to erect the signs accordingly.

**SECTION 1.** This Resolution shall take effect on the earliest date allowed by law.

Mr. \_\_\_\_\_ seconded the Resolution and the following being called upon the question of its adoption, the vote resulted as follows:

Darryl Cordrey – Aye \_\_\_\_\_ Nay \_\_\_\_\_  
Mark Sousa – Aye \_\_\_\_\_ Nay \_\_\_\_\_

Resolution adopted this 19<sup>th</sup> day of February, 2025.

Attest:

\_\_\_\_\_  
Leah M. Elliott, *Fiscal Officer*

Approved as to form:

\_\_\_\_\_  
Benjamin J. Yoder, *Law Director*

I, Leah M. Elliott Fiscal Officer of Hamilton Township, Warren County, Ohio, hereby certify that this is a true and accurate copy of a Resolution duly adopted by the Board of Trustees of Hamilton Township, County of Warren, Ohio, at its regularly scheduled meeting on February 19, 2025.

Date: \_\_\_\_\_

\_\_\_\_\_  
Leah M. Elliott, *Fiscal Officer*



Letters 3 1/2"



**Office of Public Works  
2/19/25 Trustee Meeting**

---

The following motion(s) is/are requested by the Board of Hamilton Township Trustees from the Public Works Director:

**Motion to approve Resolution 25-0219B- a resolution authorizing a contract with the Warren County Engineers Office for the purchase of road salt for the 2025-2026 snow season.**

This allows the Township to enter into a contract with Warren County Engineers Office for a salt purchasing agreement to reduce the overall cost incurred to the Township when purchasing salt.

The Board of Trustees of Hamilton Township, County of Warren, Ohio, met at a regular session at 6:00 p.m. on February 19, 2025, at Hamilton Township, Warren County, Ohio, with the following Trustees present:

Darryl Cordrey – Trustee, *Vice Chair*  
Mark Sousa - Trustee

Mr. \_\_\_\_\_ introduced the following resolution and moved its adoption:

**HAMILTON TOWNSHIP, WARREN COUNTY OHIO  
RESOLUTION NUMBER 25-0219B**

**A RESOLUTION AUTHORIZING A CONTRACT WITH THE WARREN COUNTY  
ENGINEER’S OFFICE FOR THE PURCHASE OF ROAD SALT FOR THE 2025-2026  
SNOW SEASON**

**WHEREAS**, the Board of Township Trustees desires to enter into an agreement to purchase road salt through the Warren County Engineer’s Office; and

**WHEREAS**, The Warren County Engineer’s Office meets all applicable State and local requirements through the bidding process for road salt; and

**WHEREAS**, in order to save money and expedite the bidding process, it benefits Hamilton Township to enter into an agreement with the Board of Warren County Engineer’s Office for road salt for the 2025-2026 winter season;

**NOW, THEREFORE, BE IT RESOLVED**, by the Board of Township Trustees of Hamilton Township, Warren County, Ohio:

**SECTION 1.** The Board hereby authorizes and approves entering into an agreement to participate with the Warren County Engineer’s Office for the bidding and purchase of road salt for the 2025-2026 winter season.

**SECTION 2.** Hamilton Township has allocated its own storage space to receive and store all of the salt bid and awarded in the contract.

**SECTION 3.** The Township Administrator or the Township Public Works Director of Hamilton Township are hereby authorized and directed to sign and file all documents associated with the Warren County Engineer’s Office road salt purchase program including the forwarding of the estimated salt needed for purchase as prepared by the Public Works Director.

**SECTION 4.** This Resolution shall take effect on the earliest date allowed by law.

Mr. \_\_\_\_\_ seconded the Resolution and the following being called upon the question of its adoption, the vote resulted as follows:

Darryl Cordrey – Aye \_\_\_\_\_ Nay \_\_\_\_\_  
Mark Sousa – Aye \_\_\_\_\_ Nay \_\_\_\_\_

Resolution adopted this 19<sup>th</sup> day of February, 2025.

Attest:

\_\_\_\_\_  
Leah M. Elliott, *Fiscal Officer*

Approved as to form:

\_\_\_\_\_  
Benjamin J. Yoder, *Law Director*

I, Leah M. Elliott Fiscal Officer of Hamilton Township, Warren County, Ohio, hereby certify that this is a true and accurate copy of a Resolution duly adopted by the Board of Trustees of Hamilton Township, County of Warren, Ohio, at its regularly scheduled meeting on February 19, 2025.

Date: \_\_\_\_\_

\_\_\_\_\_  
Leah M. Elliott, *Fiscal Officer*





## **Administrator - 2/19/25 Trustee Meeting**

---

### **Motion to approve Resolution No. 25-0219C, a resolution to support the inclusion of the Buckeye Trail in the National Trails System.**

A group of residents from the Heritage at Miami Bluffs neighborhood previously submitted a request for the Township to explore a new spur to the Little Miami Scenic Trail that could be used by the general public to improve the accessibility for pedestrians and bikers in Hamilton Township to park and use the trail within our community.

The portion of the Little Miami Scenic Trail that runs through Warren County is also one segment of the Buckeye Trail. The Buckeye Trail is an extensive trail 1,447 miles in length that connects almost all the State. One of the residents, Marge Kirkpatrick, has brought to my attention the National Park Service is currently conducting a feasibility study to determine whether the Buckeye Trail should be elevated in status as a National Scenic Trail. Being elevated to that status would make the Buckeye Trail eligible for federal funding for projects to develop increased recreational opportunities connected to the Trail. That could lead to possible funding opportunities for communities like Hamilton Township to apply for assistance for new parking access, additional neighborhood connectivity to the Trail and possibly additional amenities for Trail users in our community.

It is my understanding that the City of Loveland recently adopted a similar resolution.

6275 Old Forest Drive  
Maineville OH 45039  
Feb. 12, 2025

Hamilton Township  
7780 South State Route 48  
Hamilton Township, Ohio 45039

#### Request for Resolution Supporting Buckeye Trail Initiative

The Buckeye Trail is a multi-use trail winding around Ohio for 1,447 miles. The Little Miami Scenic Trail, from Loveland to Caesar Creek State Park, is part of the Buckeye Trail. The National Park Service is conducting a feasibility study to determine whether the Buckeye Trail should be elevated to a National Scenic Trail. With elevation to this designation, the Buckeye Trail would be eligible for federal funding to support recreational development along the trail. In our area, this type of funding would support development of parks and community areas, such as where the trail passes in Morrow. More information can be obtained from <https://parkplanning.nps.gov/projectHome.cfm?projectId=125615>

I encourage the Trustees to pass a resolution supporting the National Scenic Trail designation for the Buckeye Trail. The City of Loveland was also considering a resolution, <https://lovelandmagazine.com/city-council-may-lend-support-to-loveland-bike-trail-becoming-part-of-national-scenic-trail/> - [google\\_vignette](#) Adding Hamilton Township's voice to the study will help the effort pass.

Thank you for your consideration of this request.

Margee Kirkpatrick

The Board of Trustees of Hamilton Township, County of Warren, Ohio, met at a regular session at 6:00 p.m. on February 19, 2025, at Hamilton Township, Warren County, Ohio, with the following Trustees present:

Darryl Cordrey – Trustee, *Vice Chair*  
Mark Sousa - Trustee

Mr. \_\_\_\_\_ introduced the following resolution and moved its adoption:

**HAMILTON TOWNSHIP, WARREN COUNTY OHIO  
RESOLUTION NUMBER 25-0219C**

**A RESOLUTION TO SUPPORT THE INCLUSION OF THE BUCKEYE TRAIL IN THE  
NATIONAL TRAILS SYSTEM.**

**WHEREAS**, the Buckeye Trail is a 1,454-mile network of trails forming a continuous loop through Ohio, spanning diverse landscapes including the farmland of Norwest Ohio, the Bluegrass region of southwest Ohio, the Black Hand sandstone cliffs of the Hocking Hills region, and the hills of Appalachia, while connection 47 countries and over 100 communities; and

**WHEREAS**, the Buckeye Trail was established between 1959 and 1980 by the Buckeye Trail Association, a nonprofit organization that continues to oversee and maintain the trail; and

**WHEREAS**, a portion of the Buckeye Trail overlaps with the Little Miami Scenic Trail, a paved bike path situated on the former Penn Central railroad right-of-way along the Little Miami River, which passes through Hamilton Township; and

**WHEREAS**, the designation for the Buckeye Trail as a National Scenic Trail would enhance its visibility, attract more visitors, and provide exceptional opportunities for hiking, camping, and outdoor recreation across national parks, state parks, rural areas, and forested landscapes.

**NOW, THEREFORE, BE IT RESOLVED**, by the Board of Township Trustees of Hamilton Township, Warren County, Ohio:

**SECTION 1.** The Board hereby expresses its support for the inclusion of the Buckeye Trail in the National Trails System as a National Scenic Trail. This designation will not only promote the trail’s natural and recreation value but also strengthen Hamilton Township’s identity as a hub for outdoor activities, benefiting both residents and visitors.

**SECTION 2.** The Board hereby finds and determines that all formal actions relative to the passage of this legislation were taken in an open meeting of this Board, and that all deliberations of the Board, which resulted in a formal action, were taken in meetings open to the

public, in full compliance with applicable legal requirements, including Section 121.22 of the Ohio Revised Code.

**SECTION 3.** This Resolution shall take effect on the earliest date allowed by law.

Mr. \_\_\_\_\_ seconded the Resolution and the following being called upon the question of its adoption, the vote resulted as follows:

Darryl Cordrey – Aye \_\_\_\_\_ Nay \_\_\_\_\_  
Mark Sousa – Aye \_\_\_\_\_ Nay \_\_\_\_\_

Resolution adopted this 19<sup>th</sup> day of February, 2025.

Attest:

\_\_\_\_\_  
Leah M. Elliott, *Fiscal Officer*

Approved as to form:

\_\_\_\_\_  
Benjamin J. Yoder, *Law Director*

I, Leah M. Elliott Fiscal Officer of Hamilton Township, Warren County, Ohio, hereby certify that this is a true and accurate copy of a Resolution duly adopted by the Board of Trustees of Hamilton Township, County of Warren, Ohio, at its regularly scheduled meeting on February 19, 2025.

Date: \_\_\_\_\_

\_\_\_\_\_  
Leah M. Elliott, *Fiscal Officer*



## **Administrator - 2/19/25 Trustee Meeting**

---

**Motion to authorize Resolution No. 25-0219D, a resolution authorizing all actions necessary to support the continuation of a governmental electric aggregation program with opt-out provisions pursuant to section 4928.20, Ohio Revised Code, directing the township administrator of Hamilton Township to execute an electric supply agreement with Constellation Newenergy, Inc.**

Originally approved by voters in 2011, the Township's electric aggregation program remains completely voluntary, with no early termination fees. Residents can leave at any time, for any reason, free of charge. Hamilton Township's current low-rate electric supply agreement of \$0.071/kWh will expire in July 2025. To ensure a seamless transition, our broker reviewed bids from four qualified suppliers. While electricity prices have risen, the program will continue to offer price stability and protection. After evaluating options, IEC recommends signing a 12-month agreement with Constellation at a competitive fixed rate of \$0.08963/kWh. To secure this rate, a decision is needed by February 22nd. Constellation will prepare a Master Service Agreement for Township approval, and several administrative steps must be completed to ensure a smooth transition.

We will work with our broker to develop a news release, FAQs, and website updates before official letters are sent to residents and small businesses in late May or early June. These letters will outline the new offer, providing a 21-day opt-out window followed by a 7-day rescission period before enrollment.

The Board of Trustees of Hamilton Township, County of Warren, Ohio, met at a regular session at 6:00 p.m. on February 19, 2025, at Hamilton Township, Warren County, Ohio, with the following Trustees present:

Darryl Cordrey – Trustee, *Vice Chair*  
Mark Sousa - Trustee

Mr. \_\_\_\_\_ introduced the following resolution and moved its adoption:

**HAMILTON TOWNSHIP, WARREN COUNTY OHIO  
RESOLUTION NUMBER 25-0219D**

**AN EMERGENCY RESOLUTION AUTHORIZING ALL ACTIONS NECESSARY TO SUPPORT THE CONTINUATION OF A GOVERNMENTAL ELECTRIC AGGREGATION PROGRAM WITH OPT-OUT PROVISIONS PURSUANT TO SECTION 4928.20, OHIO REVISED CODE, DIRECTING THE TOWNSHIP ADMINISTRATOR OF HAMILTON TOWNSHIP TO EXECUTE AN ELECTRIC SUPPLY AGREEMENT WITH CONSTELATION NEWENERGY, INC.**

**WHEREAS**, the Ohio Legislature has enacted electric deregulation legislation ("Am. Sub. S.B. No. 3") which authorizes the legislative authorities of communities to aggregate the retail electrical loads located within their jurisdiction and to enter into service agreements to facilitate for those loads the purchase and sale of electricity; and

**WHEREAS**, Governmental Aggregation provides an opportunity for residential and small business customers collectively to participate in the potential benefits of electricity deregulation through lower electric rates which they may not otherwise be able to have individually; and

**WHEREAS**, Hamilton Township is certified by the Public Utilities Commission of Ohio as a Governmental Aggregator of electricity and through the efforts of its consultant, Independent Energy Consultants, Inc., has solicited electric supply offers to serve its Electric Aggregation Program.

**NOW, THEREFORE, BE IT RESOLVED**, by the Board of Township Trustees of Hamilton Township, Warren County, Ohio:

**SECTION 1.** The Administrator of Hamilton Township is hereby authorized to perform all actions necessary to support the continuation of a Governmental Aggregation Program and to enter into a Master Services Agreement for electric supply with Constellation NewEnergy, Inc. to facilitate the sale and purchase of electricity to consumers in the Township's Opt-Out Program. Such agreement when signed will be effective as of the date of this Resolution.

**SECTION 2.**

That it is found and determined that all formal actions of this Board concerning and relating to the adoption of this Resolution were adopted in an open meeting of this Board, and that all deliberations of this Board and any of its committees that resulted in such formal action, were in meetings open to the public, in compliance with all legal requirements, including Section 121.22 of the Ohio Revised Code.

**SECTION 3.**

This Resolution is declared to be an emergency measure necessary for the immediate preservation of the public health, safety and welfare of Hamilton Township, and for the further reason that this Resolution is required to be immediately effective in order to begin realizing the benefits sought by the Electric Aggregation Program. This Resolution shall be in full force and effect immediately upon its adoption and approval by the Township Administrator.

Mr. \_\_\_\_\_ seconded the Resolution and the following being called upon the question of its adoption, the vote resulted as follows:

Darryl Cordrey – Aye \_\_\_\_\_ Nay \_\_\_\_\_  
Mark Sousa – Aye \_\_\_\_\_ Nay \_\_\_\_\_

Resolution adopted this 19<sup>th</sup> day of February, 2025.

Attest:

\_\_\_\_\_  
Leah M. Elliott, *Fiscal Officer*

Approved as to form:

\_\_\_\_\_  
Benjamin J. Yoder, *Law Director*

I, Leah M. Elliott Fiscal Officer of Hamilton Township, Warren County, Ohio, hereby certify that this is a true and accurate copy of a Resolution duly adopted by the Board of Trustees of Hamilton Township, County of Warren, Ohio, at its regularly scheduled meeting on February 19, 2025.

Date: \_\_\_\_\_

\_\_\_\_\_  
Leah M. Elliott, *Fiscal Officer*



**Office of Public Works  
2/19/25 Trustee Meeting**

---

The following motion is requested by the Board of Hamilton Township Trustees from the Public Works Director:

**Motion to approve Resolution 25-0219B- a resolution authorizing a contract with the Warren County Engineers Office for the Warren County 2025 Resurfacing, Chip Seal, and Striping Project.**

This is an annual process that allows Hamilton Township to take advantage of economy of scale for road re-surfacing by bidding out streets along with the County Engineer, other townships, and municipalities throughout Warren County. The Township has budgeted approximately \$1.2 million for this year's resurfacing.



The Board of Trustees of Hamilton Township, County of Warren, Ohio, met at a regular session at 6:00 p.m. on February 19, 2025, at Hamilton Township, Warren County, Ohio, with the following Trustees present:

Darryl Cordrey – *Vice Chair*  
Mark Sousa – Trustee

Mr. \_\_\_\_\_ introduced the following resolution and moved its adoption:

**HAMILTON TOWNSHIP, WARREN COUNTY OHIO  
RESOLUTION NUMBER 25-0219E**

**A RESOLUTION AUTHORIZING A CONTRACT WITH THE WARREN COUNTY  
ENGINEER’S OFFICE FOR THE WARREN COUNTY 2025 RESURFACING, CHIP  
SEAL, AND STRIPING PROJECTS**

**WHEREAS**, the Warren County Engineer’s Office will meet all of the applicable state and local requirements for bidding public contracts for the Warren County Engineer’s Combined County and Township 2025 Resurfacing, Chip Seal, and Striping Projects which consists of the resurfacing, chip seal, and striping of certain roads in Warren County, including roads under the jurisdiction of Hamilton Township (the “2025 Road Project”); and,

**WHEREAS**, the Board of Township Trustees wishes to participate in the Warren County 2025 Road Project through an agreement with the Warren County Engineer’s Office; and,

**WHEREAS**, in order to save time and money, and expedite the bidding process, it benefits Hamilton Township to enter into an agreement with the Warren County Engineer’s Office for the 2025 Road Project for 2025 construction season.

**NOW, THEREFORE, BE IT RESOLVED**, by the Board of Township Trustees of Hamilton Township, Warren County, Ohio:

**SECTION 1.** The Board hereby authorizes and approves the participation of Hamilton Township in the 2025 Road Project and approves an agreement with the Warren County Engineer’s Office to participate with the Warren County Engineer for the bidding and payment of the 2025 Road Project for the 2025 construction season.

**SECTION 2.** The Township Administrator or the Township Public Works Director of Hamilton Township are hereby authorized to execute and file all documents associated with the 2025 Road Project including the forwarding of the estimated totals needed for the 2025 Road Projects as prepared by the Township Public Works Director.

**SECTION 3.** This Resolution shall take effect on the earliest date allowed by law.

Mr. \_\_\_\_\_ seconded the Resolution and the following being called upon the question of its adoption, the vote resulted as follows:

Darryl Cordrey –	Aye _____	Nay _____
Joseph Rozzi –	Aye _____	Nay _____
Mark Sousa –	Aye _____	Nay _____

Resolution adopted this 19th day of February, 2025.

Attest:

\_\_\_\_\_  
Leah M. Elliott, *Fiscal Officer*

Approved as to form:

\_\_\_\_\_  
Benjamin J. Yoder, *Law Director*

I, Leah M. Elliott, Fiscal Officer of Hamilton Township, Warren County, Ohio, hereby certify that this is a true and accurate copy of a Resolution duly adopted by the Board of Trustees of Hamilton Township, County of Warren, Ohio, at its regularly scheduled meeting on February 19, 2025.

Date: \_\_\_\_\_

\_\_\_\_\_  
Leah M. Elliott, *Fiscal Officer*



**Office of Parks and Recreation  
2/19/25 Trustee Meeting**

---

The following motion is requested by the Parks and Recreation Office:

**MOTION TO AUTHORIZE THE TOWNSHIP ADMINISTRATOR TO EXECUTE THE CONCESSION STAND OPERATOR AGREEMENT WITH WILLIAM BARNHILL AT TESTERMAN PARK FOR 2025 SEASONAL OPERATION.**

This agreement shall commence on March 15, 2025, and continue until October 15, 2025, unless earlier terminated pursuant to other provisions of the agreement. The parties estimate a net profit shall be derived from the premises and agree that net receipts generated above the breakeven shall be distributed as follows: The Township shall be entitled to the first \$2,000 of net receipts, and Operator entitled to remaining \$1,500. In the event actual net receipts generated during the term exceed \$3,500, the Parties shall split such additional profits as follows: (i) 80% to the Township and (ii) 20% to the Operator. All details are explained in the attached contract.

## CONCESSION STAND OPERATOR AGREEMENT

This **CONCESSION STAND OPERATOR AGREEMENT** (this “Agreement”) is entered into as of this \_\_\_\_ day of March, 2025 (the “Effective Date”) by and between **HAMILTON TOWNSHIP, WARREN COUNTY, OHIO** (the “Township”) and **WILLIAM O. BARNHILL** (“Operator”) (the Township and Operator may each be referred to herein as a “Party” and collectively as the “Parties”).

- A. The Township owns certain real property on which it operates a public park commonly known as “Testerman Park,” located at 8373 Maineville Road, Maineville, Ohio 45039 (the “Park”).
- B. The Township owns a shelter house on the Park (the “Arbino Shelter House”), which contains concession stand space used for the provision of food and refreshments to patrons of the Park during certain seasonal months, commonly referred to as the Arbino Concession Stand Room (the “Premises”).
- C. Operator agrees to use the Premises under the direction of the Township for the Authorized Use (defined herein) during the Agreement Term, and the Township agrees to permit Operator to use the Premises for the Authorized Use, pursuant to the terms and conditions of this Agreement.

1. **Agreement Term.** The Township hereby grants Operator authority to use the Premises for the Authorized Use, on an exclusive basis, for the period beginning on March \_\_\_\_, 2025 (the “Commencement Date”) and ending on October 15, 2025 (the “Term”).

2. **Distribution of Net Receipts.** The Parties estimate a net profit shall be derived from the Premises during the Term. Net receipts generated above the breakeven shall be distributed as follows: The Township shall be entitled to the first \$2,000 of net receipts, and Operator shall be entitled to the remaining \$1,500. In the event actual net receipts generated during the Term exceed \$3,500, the Parties shall split such additional profits as follows (i) 80% to the Township and (ii) 20% to Operator. Operator shall submit a single lump sum payment consisting of all amounts due and owing to the Township at the conclusion of the Agreement Term pursuant to this Section 2 on or before October 31, 2025 (all such amounts are collectively referred to in this Agreement as “Net Receipts”). On or before the 10th day of each month during the Term, Operator shall provide the Township with an excel ledger displaying daily sales, Operator expenses, and an approximate profit/loss statement with respect to operation of the Premises during the immediately preceding month.

3. **Authorized Use.** Operator shall solely use the Premises for the purpose of operating a refreshment stand serving patrons of the Park (the “Authorized Use”). The operator shall use his best efforts to open and operate the facilities but cannot guarantee that the stand will be open at all times while recreational activities are ongoing at Fields B, C, D and the Championship Field in the Park, and which have been scheduled by the Township or athletic associations or other groups authorized by the Township to hold events at the Park. The Township shall provide Operator with a schedule of events at the beginning of the Agreement Term, and reasonable advance notice if any modifications are made to the schedule throughout the Term. The operator shall notify the Township if he is unable to open and operate the facilities while recreational activities are ongoing at Fields B, C, D and the Championship Field. The Township may elect to make other reasonable efforts to provide a food and beverage option for said recreational activities when the operator is unable to open and operate. The Township shall have no duty or responsibility to engage in the Authorized Use, or assist Operator in its performance of the Authorized Use or any activity related thereto. Operator shall conduct the Authorized Use under the direction of the Township in compliance with all applicable federal, State and local laws, regulations and rules (including but not limited to regulations and

rules of the State of Ohio Department of Health and the Warren County Board of Health) (collectively, “Applicable Law”), and the terms and conditions of this Agreement.

**4. Operator Obligations.** During the Agreement Term, Operator shall:

**A.** Not operate or permit any type of food cooking device that requires or produces an open flame within any enclosed structure, or under any roof or overhang, on the Premises.

**B.** Operate the Premises, and engage in the Authorized Use, in accordance with all Applicable Law, and with the ordinary skill and care of vendors in the industry operating under similar conditions.

**C.** Refrain from making any alterations, additions or improvements to the Premises without the express prior written consent of the Township.

**D.** Refrain from assigning, pledging, encumbering or subletting the Premises, in whole or in part, to any other individual or entity without the express prior written consent of the Township.

**5. Township Obligations.** During the Agreement Term, the Township shall:

**A.** Perform general maintenance activities on the Park including all maintenance activities required by the authorized use of all permanent and non-permanent equipment provided by the Township at no cost to the operator nor will maintenance activity costs be calculated against the net receipts.

**B.** Make the Premises available for Operator’s use in accordance with the terms and conditions of this Agreement.

**6. Liability Insurance.** The Township will provide and maintain a general liability policy for the operator as concessionaire for the duration of the agreement. The Township will provide the operator with a certificate evidencing its maintenance of such insurance policy prior to the commencement date.

**7. Termination.**

**A.** The Agreement is intended to terminate at the conclusion of the Agreement Term set forth in Section 1 above, but may be earlier terminated in accordance with this Section. This Agreement may be immediately terminated by the Township upon written notice to Operator in the event the Township: (i) becomes aware that Operator has violated any Applicable Law, or any term or condition set forth in this Agreement; or (ii) requires the Premises for any public purpose. Either Party may terminate this Agreement at any time, for any reason or no reason, upon at least thirty (30) days’ prior written notice to the other Party.

**B.** In the event the Township terminates the Agreement prior to its natural expiration without cause (*i.e.* not due to any breach on the part of Operator), the Township shall remit a portion of the Rent paid by Operator for the applicable year, commensurate with the remaining time left in the Agreement Term as of the termination date.

**C.** Within twenty-four (24) hours of the Agreement termination date, Operator shall completely remove all of Operator’s personal property from the Premises (and any other area of the Park in which Operator property is stored with the consent of the Township) and surrender the Premises in as good condition as they existed as of the Commencement Date (reasonable wear and tear accepted).

8. **Written Notices.** Any notice required under this Agreement shall be in writing and sent via personal delivery, or certified or overnight mailing to the recipient-Party at its below-listed address (which may be changed at any time upon notice to the other Party):

If to the Township:

Hamilton Township  
c/o Jeff Wright, Township Administrator  
7780 South State Route 48  
Maineville, Ohio 45039

If to Operator:

Bill Barnhill  
612 Eagles Nest Court  
Maineville, Ohio 45039

9. **Miscellaneous.** The Parties acknowledge that this Agreement constitutes the entire agreement and understanding between the Parties, and supersedes any prior representations, warranties, promises, covenants, agreements or guarantees of any kind or character whatsoever, whether express or implied, oral or written, between the Parties. This Agreement may only be modified in a writing signed by both Parties. Any provisions of this Agreement later held by a court of competent jurisdiction to be unenforceable for any reason shall be deemed severed and void, and all remaining provisions shall continue in full force and effect. Operator may not assign this Agreement, in whole or in part, to any person or entity without the Township's prior written consent.

By executing this Agreement below, the Parties hereto accept, and agree to be bound by, the terms and conditions set forth in this Agreement.

**HAMILTON TOWNSHIP,  
WARREN COUNTY, OHIO**

**WILLIAM O. BARNHILL**

\_\_\_\_\_  
Jeff Wright  
Hamilton Township Administrator

\_\_\_\_\_  
William O. Barnhill

Date: \_\_\_\_\_

Date: \_\_\_\_\_



**Office of Public Works  
2/19/2025 Trustee Meeting**

---

The following motion is requested by the Board of Hamilton Township Trustees from the Public Works Department:

**Motion to transfer deed, as presented to the board.**

- Cemetery Transfer Deed –
  - Shelby & Lynnhurst Gulliford request to transfer Lot 59 grave (s) 1 & 2 to Majorie Walker in Murdoch Cemetery

Budget Impact: N/A

# Deed For Cemetery Lot

Rev. Code, Sects. 517.07,.14; 759.12,31

Deed Number. # 2025-3

## KNOW ALL MEN BY THESE PRESENTS:

That we, the undersigned Trustees of Hamilton Township, Mark Sousa, Joe Rozzi, Darryl Cordrey, in the County of Warren and State of Ohio, for and in consideration of the sum of \$ 0.00Dollars, to us paid by Majorie A. Walker Current Address: 1842 Adams Rd. Loveland, Oh 45140, the receipt whereof is hereby acknowledged, do hereby **GRANT, BARGAIN, SELL AND CONVEY** to the said:

**Majorie A. Walker**

and HIS/HER/THEIR heirs forever the following described lot or parcel of land in Murdoch Addition : Lot: 59 Grave(s) 1 & 2 as described upon the plat of said Cemetery, on file in the office of the Administration of said TO HAVE AND TO HOLD the same to the said

**Majorie A. Walker**

and HIS/HER/THEIR heirs, to be used for the purposes of burial only, subject to the laws of this State regarding Cemeteries and the rules an regulations of the officers having control of said Cemetery.

In Witness Whereof, We have hereunto set our hands on this 19th day of February A.D. 2025

Signed and Acknowledged in presence of

\_\_\_\_\_  
\_\_\_\_\_  
\_\_\_\_\_

in Warren County, Ohio.

\*\* The State of Ohio, Warren County, ss.

Be It Remembered, That on this 19th day of February A.D. 2025 before me, the subscriber, a **Notary Public** in and for said County, personally came the above named Trustees of Hamilton Township in Warren County, State of Ohio, and as such officers, acknowledged the signed and sealing of the foregoing conveyance to be their voluntary act and deed, for the uses and purposes therein mentioned.

In Testimony Whereof, I have hereunto subscribed my name, and affixed my official seal, on the day and year last aforesaid.

\_\_\_\_\_  
\*Transfer from Shelby & Lynnhurst Gulliford to Majorie A. Walker\*



# Hamilton Township Fire Rescue



## Memo

To: Joe Rozzi, Trustee  
Darryl Cordrey, Trustee  
Mark Souza, Trustee

From: Jason Jewett, Fire Chief

Cc: Jeff Wright, Administrator

Date: February 11, 2025

Re: New Tanker/Engine Purchase

Gentlemen,

On February 5, 2025, during the annual retreat you approved the fire department and gave directions to purchase a tanker/engine as proposed. Mr. Sousa asked if we could find a demo unit to decrease delivery time for this much-needed fire apparatus.

I am happy to report that we signed a contract with Atlantic Emergency Solutions to purchase a Pierce 2100-gallon tanker/pumper for a price not to exceed \$591,000.00 and is purchased via a cooperative purchasing agreement through Sourcewell. The truck is currently online and will be ready for delivery in late July of this year. We were able to make some modifications to the truck to fit our specific needs. Atlantic will be purchasing some of the needed equipment and installing it at their shop prior to delivery. Atlantic is pricing out some of the required additions needed for the truck. Pierce is the company who is building our new ladder truck. We will finalize financing in the next couple of months. I propose to put \$50,000 down from the interest fund transferred to the department by the board and an additional \$50,000 from the anticipated sale of the ladder.

As you will recall in my proposal, approximately 55-60% of the township is rural and without hydrants. This truck will respond with the 1<sup>st</sup> engine and ladder and provide an additional 2100 gallons of water during the initial stages of a fire. This will allow us to extend firefighting streams from 3.5 minutes to almost 16 minutes while awaiting mutual aid tankers.

This new truck can also be used as an engine on an as needed basis. Due to this ability, we will be able to sell the current ladder truck when the new ladder truck arrives. The ladder truck has been costing approximately \$25,000 a year to maintain due to our call volume and use. In 2024 that cost was \$31,000 and we have already spent \$17,000 on repairs this year. We have also been in the position of needing to borrow units from other fire departments just to put fire trucks on the road. The new ladder and this new tanker/pumper should keep that from happening.

# Hamilton Township Fire Rescue



## Memo

---

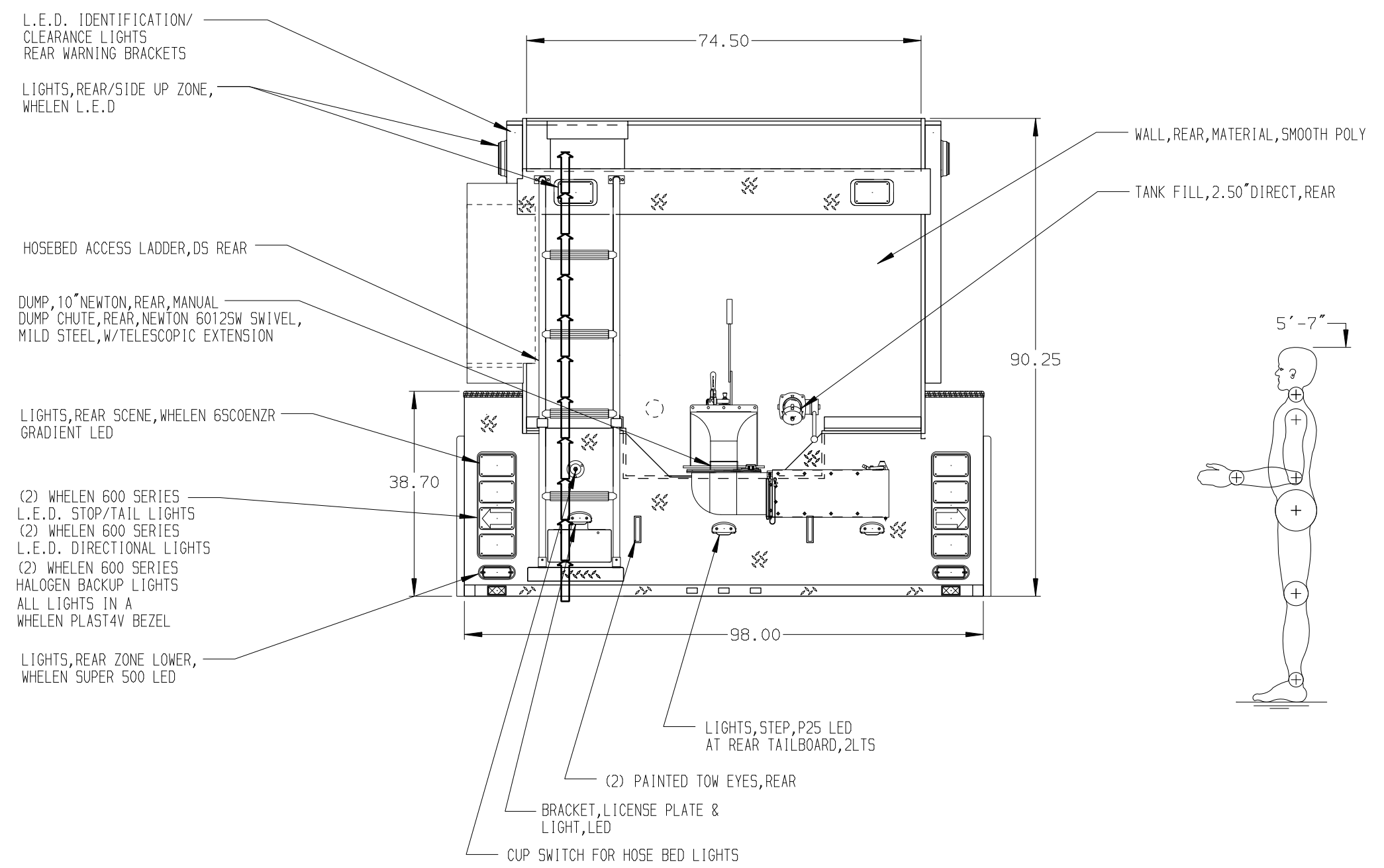
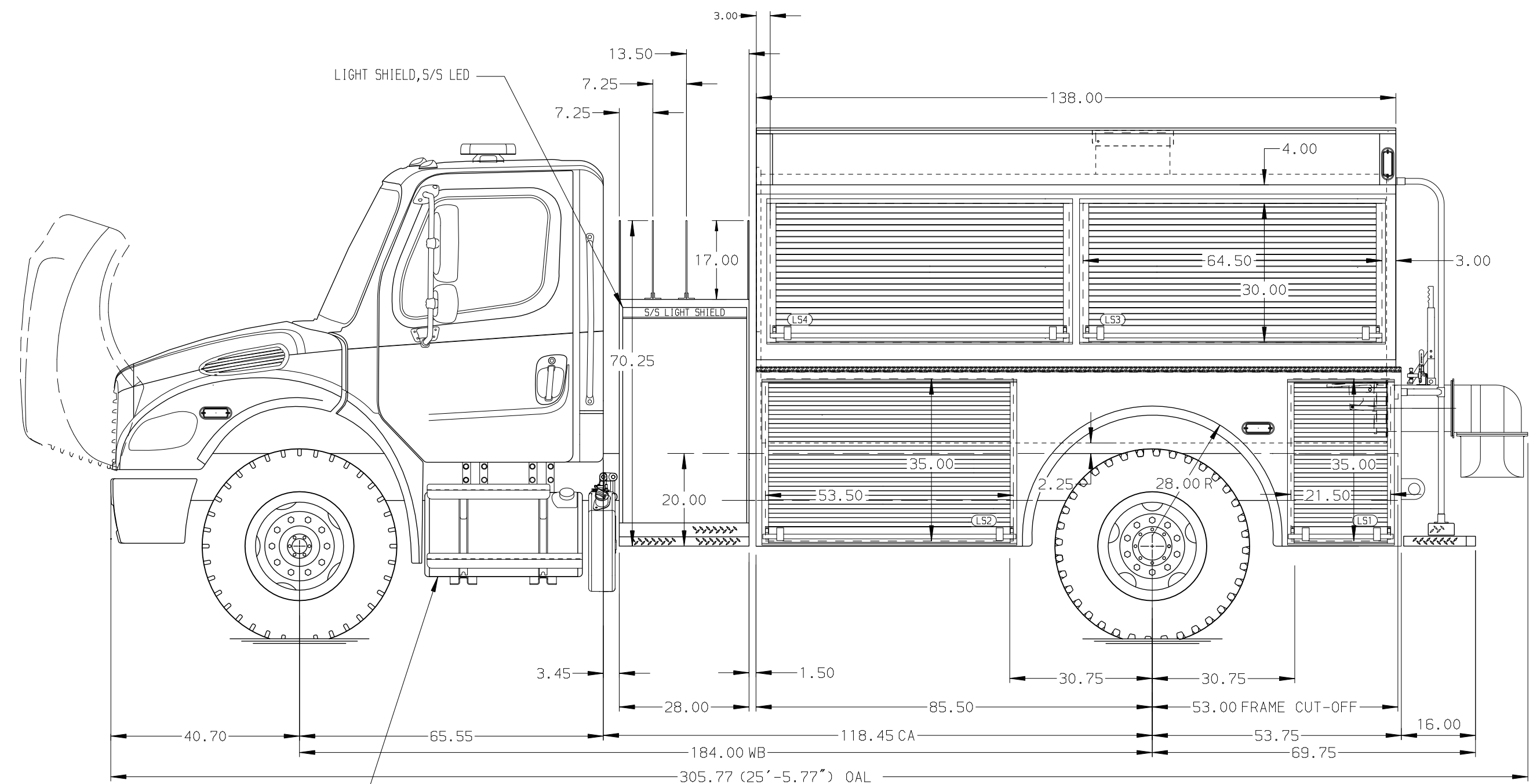
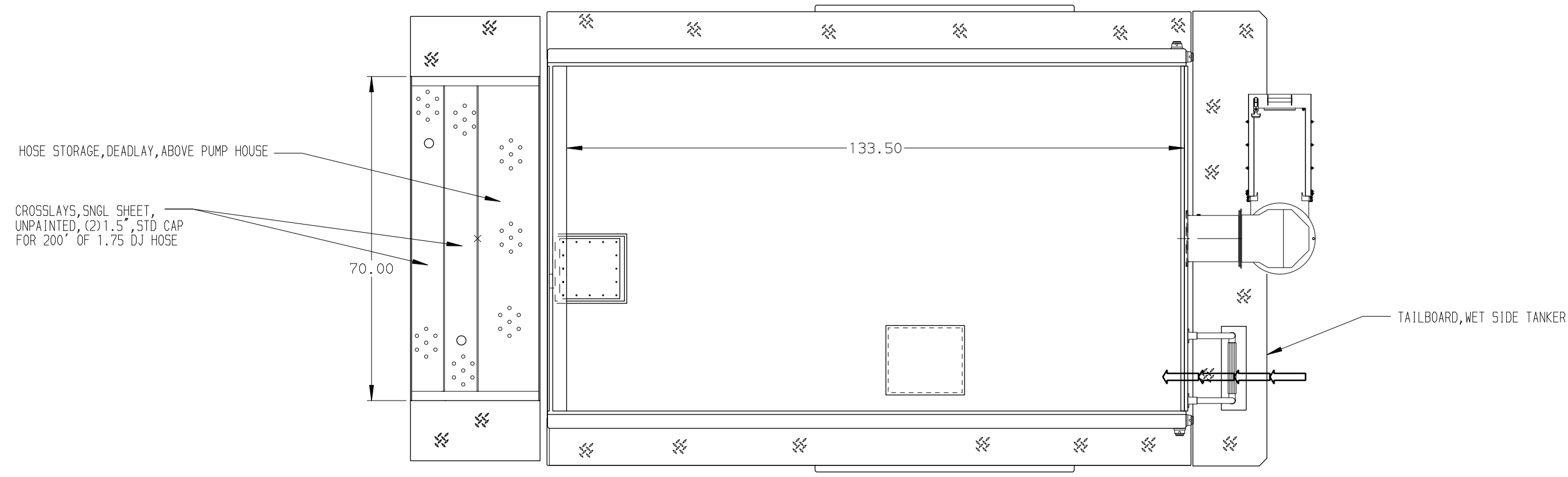
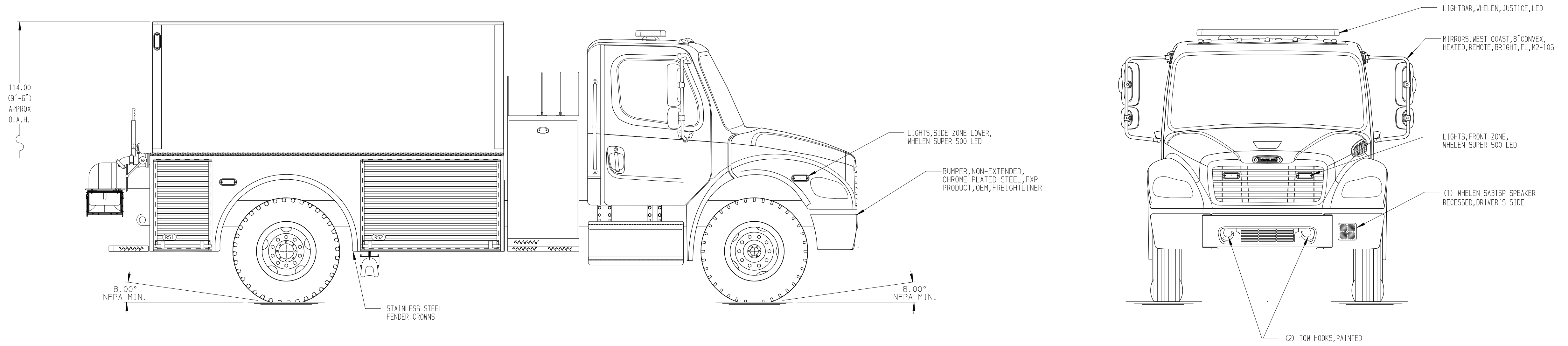
There are other benefits that will help our department such as with our ISO rating. This tanker/engine will give us a 3<sup>rd</sup> pumper which will allow us to receive full credit for the ladder. This did not happen with the last ISO evaluation costing us needed points.

Once again, I would like to thank you for the support you have shown to the fire department. This new tanker/pumper will last our community 25-30 years based on projected use and is a great investment for our community.

Respectfully,

A handwritten signature in blue ink, appearing to be 'Jason Jewett', written in a cursive style.

Jason Jewett  
Fire Chief



ALUMINUM BODY

FUEL TANK, 50GAL, ALUM, LH ONLY, FL  
DEF TANK 6.0 GALLON, LH, FL  
STEPS, CAB, AS SUPPLIED BY FREIGHTLINER

NOTE  
DIMENSIONS SHOWN ARE APPROXIMATE AND ARE SUBJECT TO MINOR DEVIATIONS AS MAY OCCUR OR BE NECESSARY IN CONSTRUCTION. MINOR DETAILS NOT SHOWN.

				<b>MANUFACTURING INC.</b> BRADENTON, FLORIDA		JOB NO.	SF-2219
						SCALE	DATE
				TITLE 2100 GALLON POLY FXP TANKER, HIGH SIDE SINGLE STAGE PTO PUMP		DRAWN BY	02APR20
				MAKE FL FOR PIERCE MANUFACTURING INC. BRADENTON, FLORIDA		CHECKED BY	17APR20
				MODEL DWG NO. SF-2219AD		SHEET SIZE	SHEET NO.
REV	DATE	BY	CH	M2-106		D	1 OF 1